



Special Features

- Spring loaded design for positive contact with thermowell
- Available in various connections & sheath diameters
- Tri-clover connections are available in size of 1", 1½", 2", 2½"
- Mounting is very easy & quick
- Enclosures (Head)
 - Weatherproof IP - 67
- Transmitter output 4 - 20 mA (Optional)
- Reference standard : IEC - 751 / DIN 43760.

Applications

- Sanitary application, Food, Beverage & Pharmaceutical

Specifications

Standard Version

No of element	: Simplex
Element type	: Pt - 100
Range	: -50 till 200°C
Accuracy	: Class 'B' tolerance as per IEC - 751 / DIN 43760
Wire configuration	: 3 Wire System
Sheath diameter	: 6.0 mm
Sheath material	: SS 316
Terminal head type	: Screwed type, Weatherproof, IP-65 in Die Cast Aluminum
No. of conduit entry	: One
Conduit entry size	: 3/4" ET(F)
Sanitary connection	: 1½", SS 316
Immersion length "I"mm	: 150 mm.
Extension length "T"mm	: 50 mm.
Tag plate	: SS Tag plate
Surface Finish	: 0.8 µm

How To Order

Example

Basic Model				R03
Optional Extras				
No of Element	1 Simplex (Standard)	2 Duplex		X
Element type	P1 Pt - 100			
Range	C -50 till 200°C			X
Accuracy	A Class 'A'	B Class 'B'		X
Wire Configuration				
2	2 Wire system	3 3 Wire system (Standard)		X
4	4 Wire system			
Sheath Diameter				
03	3.0 mm	06 6.0 mm (Standard)		XX
05	4.5 mm	08 8.0 mm		
Sheath Material				
1	SS 316 (Standard)	2 SS 316L		X
Terminal Head Type				
F	Screwed type, Flameproof, IP-67 Gr. IIA IIB in Die Cast Aluminium			
E	Screwed type, Explosion proof, IP-67, Gr. IIC in Die Cast Aluminium			X
H	Hinged type, Weatherproof, IP-67 in Die Cast Aluminium			
B	Weatherproof Head, IP-67 in Die-cast Aluminium			
A	Screwed type weatherproof, IP-65 in Die Cast Aluminium			
C	Screwed type weatherproof, IP-68 in Die Cast Aluminium			
3	Terminal head in SS 304 - WP , IP -67			
4	Terminal head in SS 316 - WP , IP -67			
5	Machined Terminal Head SS 316L			
	* For other option contact factory			
No of Conduit Entry / Entries				
1	One entry (Standard)	2 Double entry		X
Conduit Entry Size				
A	3/4" ET (Standard)	B 1/2" NPT(F)	C M20 x 1.5P	X
Tri-clover Connection Size				
A	1"	B 1½" (Standard)	C 2"	X
Immersion Length		IL - Specify in mm		150 mm
Extension Length		T - Specify in mm		50 mm
Surface Finish				
A	0.76 µm (Standard)			
B	0.4 µm			
C	Electro Polishing (0.76 µm)			X
D	Electro Polishing (0.4 µm)			
Clamp				
ZN	1" Clamp AISI 304 SS	ZP 2" CLAMP AISI 304 SS		XX
ZO	1½" Clamp AISI 304 SS			
Gasket (sealing Ring)				
FU	1" Silicon Gasket	GW 1" PTFE Gasket		XX
FX	1½" Silicon Gasket	GX 1½" PTFE Gasket		
FY	2" Silicon Gasket	GY 2" PTFE Gasket		

How To Order

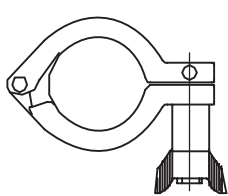
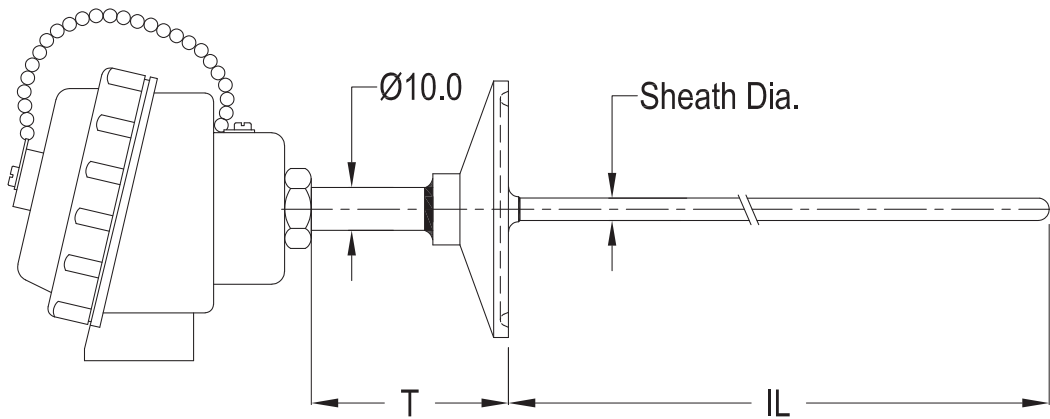
Example

Other Options

- 13 Head mounted Temperature transmitter(4-20 mA)
- 14 SS Base plate suitable for temperature transmitter
- 21 Plug for conduit entry in carbon steel
- 22 Plug for conduit entry in SS 304
- 23 Plug for conduit entry in SS 316
- 32 S. C. cable gland in Nickel plated Brass - WP
- 33 D. C. cable gland in Nickel plated Brass - WP
- 34 S. C. cable gland in SS 304 - WP
- 35 D. C. cable gland in SS 304 - WP
- 36 S. C. cable gland in SS 316 - WP
- 37 D. C. cable gland in SS 316 - WP
- 39 D. C. cable gland in Nickel plated Brass - FLP
- 41 D. C. cable gland in SS 304 - FLP
- 43 D. C. cable gland in SS 316 - FLP
- 44 Plug for conduit entry in AL
- 45 D. C. cable gland in Nickel plated brass
- 46 D. C. cable gland in SS304
- 47 D. C. cable gland in SS316
- FC Fixed Threaded Connection
- AC Adjustable Threaded Connection
- PW Calibration Certificate
- SX SS Tag Plate

XX

Dimensional Details



CLAMP (OPTIONAL)



SEALING RING (OPTIONAL)

Note :

1. When selecting option "PW", please also specify temp. points at which calibration is to be carried out .
2. Explanations of Abbreviations used:
 - SC = Single Compression SS = Stainless Steel
 - DC = Double Compression FLP = Flameproof
 - WP = Weatherproof

Ordering Example :

R03 . X . X . X . X . XX . X . X . X . X . X . 150 mm . 50 mm . X . XX . XX . XX